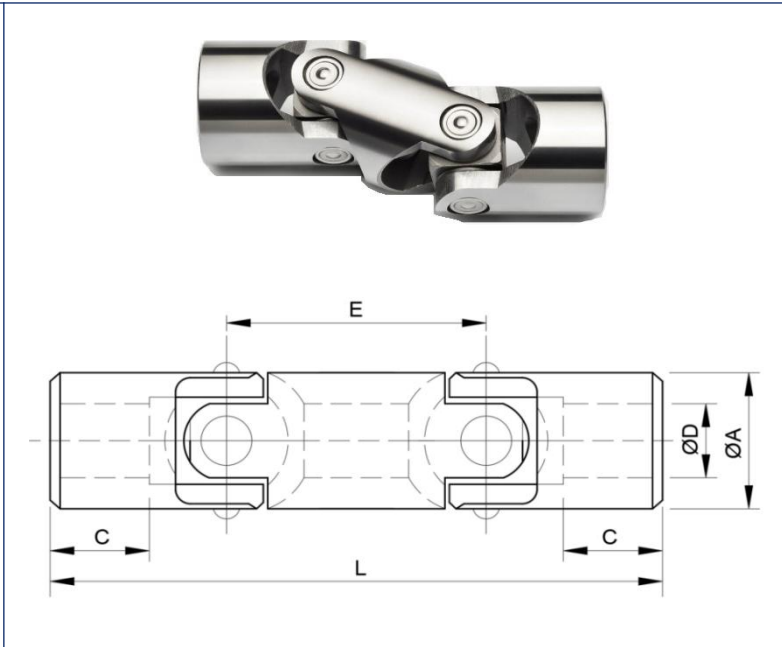
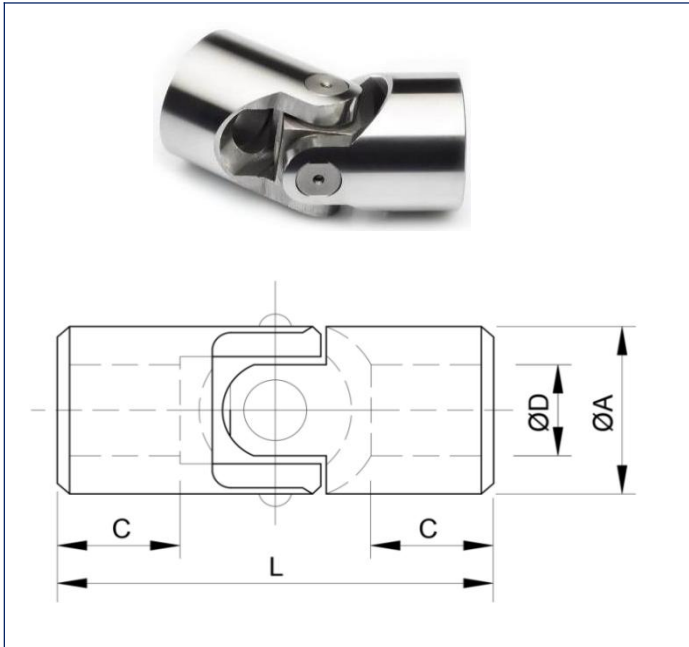


RUNFLEX UNIVERSAL JOINT consists of a pair of closely located hinges, oriented at 90° to each other. It allows one or more rotating shafts to be linked together, even when misaligned. When shafts are connected using a universal joint, each shaft terminates in a revolute joint with its axis perpendicular to the shaft's rotational axis. This allows rotary motion to be transferred between the shafts while allowing misalignment in both remaining rotational degrees of freedom. It comes in **Single, Double and Telescopic (Spline shaft)** variants.



SINGLE UNIVERSAL JOINT

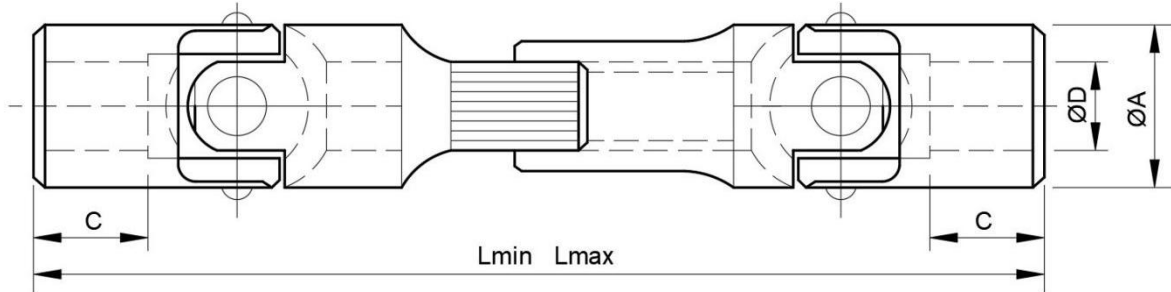
DOUBLE UNIVERSAL JOINT

SIZE	TORQUE Nm	ØA	MAX BORE (ØD)		C	L
			PLAIN	FBKW		
RSJ - 1	21	10	6	-	13	44
RSJ - 2	44	13	8	-	15	50
RSJ - 3	75	16	10	7.5	17	58
RSJ - 4	89	19	12	8.5	19	64
RSJ - 5	135	22	14	11	21	76
RSJ - 6	193	25	16	12	25	86
RSJ - 7	331	29	18	14	26	90
RSJ - 8	600	32	20/22	16	26	95
RSJ - 9	910	38	25	19	30	108
RSJ - 10	1230	44	30	22.5	34	127
RSJ - 11	1790	51	35	27.5	38	140
RSJ - 12	2860	57	40	32	47	165
RSJ - 13	3810	63	45	36.5	50	178
RSJ - 14	7510	76	50	44.5	66	222
RSJ - 15	11010	89	65	53	78	254
RSJ - 16	15850	102	70	62	94	292

SIZE	TORQUE Nm	ØA	MAX BORE (ØD)		C	E	L
			PLAIN	FBKW			
RDJ - 1	44	13	8	-	15	21.5	71.5
RDJ - 2	75	16	10	7.5	17	25	81
RDJ - 3	89	19	12	8.5	19	27	91
RDJ - 4	135	22	14	11	21	35	111
RDJ - 5	193	25	16	12	25	36	122
RDJ - 6	331	29	18	14	26	43	133
RDJ - 7	600	32	20/22	16	26	48	143
RDJ - 8	910	38	25	19	30	54	162
RDJ - 9	1230	44	30	22.5	34	67	194
RDJ - 10	1790	51	35	27.5	38	78	218
RDJ - 11	2850	57	40	32	47	80	245
RDJ - 12	3810	63	45	36.5	50	89	267
RDJ - 13	7510	76	50	44.5	66	96	318
RDJ - 14	11010	89	65	53	78	111	365
RDJ - 15	15850	102	70	62	94	118	410
-	-	-	-	-	-	-	-

ALL DIMENSIONS ARE IN MM.

TELESCOPIC UNIVERSAL JOINTS



SIZE	TORQUE Nm	ØA	MAX BORE (ØD)		C	L Lmin Lmax
			PLAIN	FBKW		
RTJ - 5	135	22	14	11	21	AS PER REQUEST
RTJ - 6	193	25	16	12	25	
RTJ - 7	331	29	18	14	26	
RTJ - 8	600	32	20/22	16	26	
RTJ - 9	910	38	25	19	30	
RTJ - 10	1230	44	30	22.5	34	
RTJ - 11	1790	51	35	27.5	38	
RTJ - 12	2860	57	40	32	47	
RTJ - 13	3810	63	45	36.5	50	
RTJ - 14	7510	76	50	44.5	66	
RTJ - 15	11010	89	65	53	78	
RTJ - 16	15850	102	70	62	94	

We also develop customized joints as per your requirement. Kindly contact us for more details.

TUV INDIA AN ISO 9001:2015 REGISTERED COMPANY



RUNFLEX TRANSMISSIONS PVT. LTD.

3/3 DEDGE INDUSTRIES, NANDED PHATA, SINHAGAD ROAD, PUNE- 411041

✉ : runflex.transmissions@gmail.com ☎ : 9545565527/9422089962

🌐 : www.runflextransmissions.com