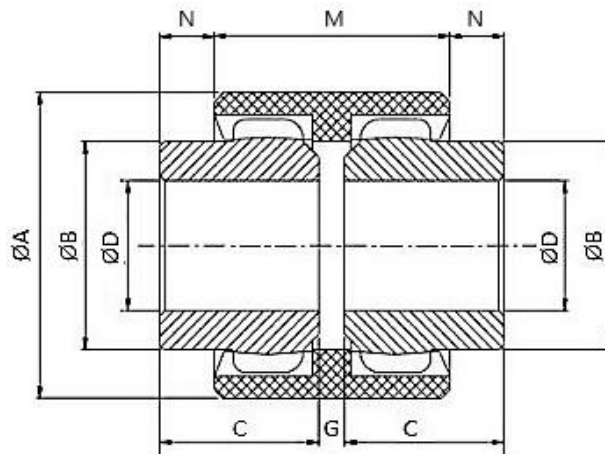


**RUNFLEX NYLON GEAR COUPLINGS** are made of two steel crowned teeth hubs, which are connected with precision molded nylon sleeve having internal teeth. The crowned teeth hubs and the lubrication free combination of steel with nylon ensure good sliding properties and leads to low maintenance and low wear operation. These couplings are resistant to all types of lubricants and hydraulic fluids and can be used at a temperature range of -25°C +80°C.

**FEATURES :**

- Compensation of axial, radial & angular misalignments.
- Double engagement allows smooth torque transmission.
- Deployable in horizontal and vertical applications.
- Low weight and low moment of inertia.
- Resistance to dirt, moisture and most chemicals.



SIZE	RATING @100 RPM	TORQUE Nm	MAX SPEED (RPM)	P.B	MAX BORE ØD	ØA	ØB	C	G	M	N	WT in KG	M.I IN Kgm2	MAX MISALIGNMENT		
														AXIAL	RADIAL	ANGULAR
RN - 19	0.17	16	11800	9	20	48	32	25	4	37	8.5	0.23	0.47	1	0.3	± 1°
RN - 28	0.47	45	8500	10	28	66	44	40	4	46	19	0.74	3.09	1	0.4	± 1°
RN - 38	0.84	80	6700	14	38	83	58	40	4	48	18	1.23	8.68	1	0.4	± 1°
RN - 48	1.50	140	5600	20	48	95	68	50	4	50	27	1.81	18.34	1	0.4	± 1°
RN - 65	4.00	380	4000	32	65	132	96	55	4	68	23	4.35	84.80	1	0.4	± 1°

**NOTE:**

1. ALL DIMENSIONS ARE IN MM.
2. WEIGHTS AND M.I ARE SPECIFIED CONSIDERING P.B.
3. MAX. TORQUE IS 3 TIMES THE NORMAL TORQUE.
4. TOLERANCE ON FINISH BORE & KEYWAY WILL BE H7 & J59 RESPECTIVELY AS PER BS 4235 : PART 1 : 1972

**MATERIAL SPECIFICATION:**

HUB	CARBON STEEL
SLEEVE	NYLON

**TUV INDIA** AN ISO 9001:2015 REGISTERED COMPANY


**RUNFLEX TRANSMISSIONS PVT. LTD.**

3/3 DEDGE INDUSTRIES, NANDED PHATA, SINHAGAD ROAD, PUNE- 411041

**M** : [runflex.transmissions@gmail.com](mailto:runflex.transmissions@gmail.com)      **☎** : 9545565527/9422089962

**🌐** : [www.runflextransmissions.com](http://www.runflextransmissions.com)