

**RUNFLEX JAW COUPLING** is a general-purpose power transmission coupling that can be used in motion control (servo) applications. It is designed to transmit torque (by connecting two shafts) while damping system vibrations and accommodating misalignment, which protects other components from damage. Jaw couplings are composed of two **Hubs** and an elastomer insert known as **Spider**. The spider provides dampening of impulse loads, minimizing shock to the motor and other sensitive equipment in your system. Spiders are available with different materials & levels of hardness to optimize the coupling for the torque and dampening requirements of each application.

The fail-safe design of **RUNFLEX JAW COUPLING** continues to drive and transmit power even after the spider element has failed. When the element fails, the hubs interlock and continue transmitting power.

**FEATURES :**

- No Lubrication, Maintenance free, Long life.
- Compact design, High power to weight ratio.
- Fail safe - Will perform even if spider fails.
- Vibrations Dampening, torsionally flexible.
- Axial plug-in, easy to assemble.
- Simple construction, quick & easy installation.
- Resist moisture, oils, and greases.
- Can withstand high temperatures.
- Available in S.I, C.I & Aluminium.



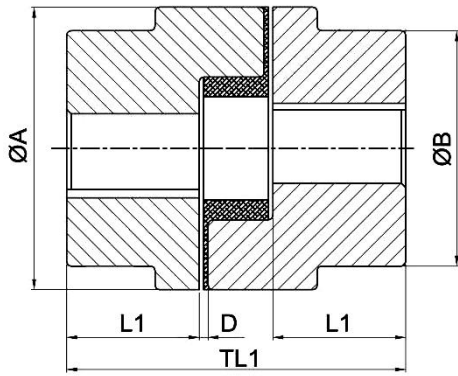
**SELECTION PROCEDURE:**



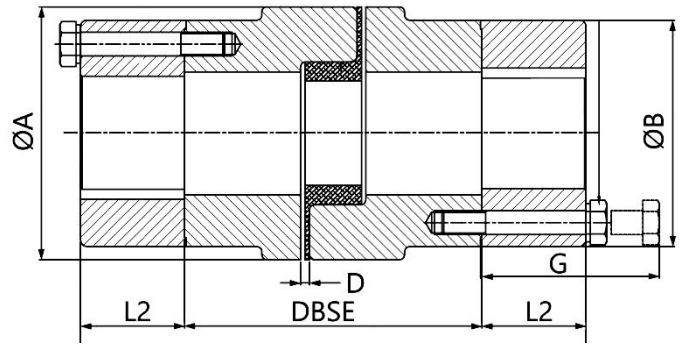
**SERVICE FACTOR TABLE :**

DRIVEN MACHINE	DRIVER MACHINE		
	ELECTRIC MOTOR / STEAM TURBINE	STEAM ENGINE / WATER TURBINE	GAS ENGINE / OIL ENGINE
<b>CONSTANT TORQUE FLUCTUATIONS</b> Centrifugal pumps, Compressor, Light fans, Alternator, Conveyor, etc.	1.0	1.5	2.0
<b>LIGHT TORQUE FLUCTUATIONS</b> Screw pumps & compressor, Rotary compressor & dryer, Textiles machinery, Draught fans, Paper mill winder, marine propeller, etc.	1.5	2.0	2.5
<b>MEDIUM TORQUE FLUCTUATIONS</b> Reciprocating pumps, Bucket elevator, Crane & winders, Paper mills, Positive displacement pumps, etc.	2.0	2.5	3.0
<b>HIGH TORQUE FLUCTUATIONS</b> Reciprocating conveyor, High velocity mixtures, Rubber machinery, Crusher ball mills, Cooling tower, etc.	2.5	3.0	3.5

**(RFL / RFRL SERIES)**



**TYPE RFL**



**TYPE RFRL**

SIZE	HUB MOC	RATED TORQUE Nm	KW Capacity			BORE			DIMENSIONS IN MM								DBSE	TOR STIFF Nm/Rad
			100 RPM	1500 RPM	3000 RPM	MIN BORE	MAX BORE		ØA	ØB		D	L1	TL1	L2	G		
							RFL	RFRL		RFL	RFRL							
035	S.I. AL.	0.38	0.004	0.07	0.14	3	10	-	16	16	-	1	5.5	19	-	-	-	4
050		2.75	0.04	0.5	1	6	16	-	28	28	-	1	15	46	-	-	-	36
070		4.95	0.06	0.8	1.65	9	20	-	36	36	-	2	19	51	-	-	-	80
075		9.8	0.12	1.95	3.2	9	22	-	45	45	-	2	21	55	-	-	-	119
095	C.I. AL.	21	0.25	3.7	7	10	28	30	54	49	54	2	25	63	25	20	90 100 140	275
099		45.9	0.4	5.9	12	10	30	-	65	51	-	2	27	72	-	-		688
100		45.9	0.5	7.5	15	10	35	38	65	57	65	2	35	88	30	20		688
110		89	1	14.1	28	15	42	42	85	76	76	3	43	108	35	21	1719	
150	C.I.	141	1.6	22.5	45	15	48	48	96	80	90	3	45	115	40	27	90 100 140 180	2120
190		190	2.08	30.3	60.8	20	60	55	115	102	102	3	54	133	46	27		3495
225		265	2.8	41.7	83	20	65	65	127	111	115	3	64	153	52	21		4584
226		325	3.5	51.5	103	25	70	-	137	119	-	3	70	178	-	-	-	6990
276		531	5.7	85	169	25	75	-	157	127	-	3	80	200	-	-	-	12720
280		780	8.4	125	245	30	80	-	192	140	-	3	80	200	-	-	-	22517
295		1279	13.7	203	-	40	95	-	237	162	-	3	95	238	-	-	-	51222
2955		2132	22.6	338	-	50	105	-	237	180	-	3	108	264	-	-	-	85428
300		3047	32.1	480	-	50	105	-	254	180	-	3	115	283	-	-	-	126395
350		4308	46	676	-	50	115	-	305	200	-	3	128	309	-	-	-	183633

**NOTES**

- ALL DIMENSIONS ARE IN MM.
- ABOVE RATINGS ARE BASED ON 80° SHORE ELASTOMERS.
- P.U. SPIDERS CAN BE USED TO INCREASE POWER RATINGS.
- FOR WEIGHT & M.I. DETAILS, CONTACT RUNFLEX.

**MATERIAL SPECIFICATION**

HUB	S.I = SINTERED IRON (SIZE 035-070)
	AL. = ALUMINIUM (SIZE 035 - 110)
	C.I. = CAST IRON (SIZE 095 - 350)
SPIDER	SYNTHETIC RUBBER (80°, 92° SHORE A)
	POLYURETHANE (92°, 98° SHORE A)

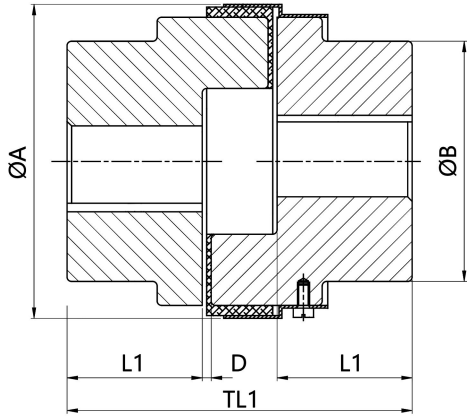
**RFL SERIES**



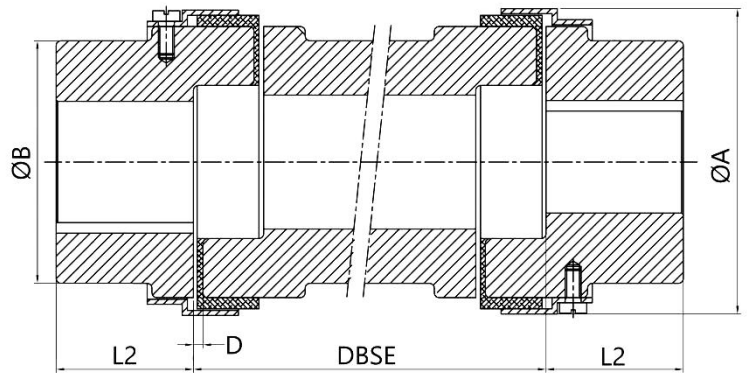
**RFRL SERIES**



## (RFSW / RFSWS SERIES)



**TYPE RFSW**



**TYPE RFSWS**

SIZE	RATED TORQUE Nm	KW Capacity			BORE		DIMENSIONS IN MM									DBSE	TOR STIFF Nm/Rad
		100 RPM	1500 RPM	3000 RPM	MIN BORE	MAX BORE		ØA	ØB		D	L1	TL1	L2	G		
						RFSW	RFSWS		RFSW	RFSWS							
095	21	0.25	3.7	7	10	28	28	64	49	49	2	25	63	25	20	90 100 140 180	275
099	45.9	0.4	5.9	12	10	30	-	78	51	-	2	27	72	-	-		688
100	45.9	0.5	7.5	15	10	35	35	78	57	57	2	35	88	35	20		688
110	89	1	14.1	28	15	42	42	96	76	76	3	43	108	43	21		1719
150	141	1.6	22.5	45	15	48	48	111	80	80	3	45	115	45	27		2120
190	190	2.08	30.3	60.8	20	60	60	130	102	102	3	54	133	54	27		3495
225	265	2.8	41.7	83	20	65	65	142	111	111	3	64	153	64	21		4584
226	325	3.5	51.5	103	25	70	70	153	119	115	3	70	178	70	-		6990

**NOTES**

- ALL DIMENSIONS ARE IN MM.
- ABOVE RATINGS ARE BASED ON 80° SHORE ELASTOMERS.
- FOR WEIGHT & M.I. DETAILS, CONTACT RUNFLEX.

**MATERIAL SPECIFICATION**

HUB	CAST IRON
SPACER	ALUMINIUM
SPIDER	SYNTHETIC RUBBER (80°, 92° SHORE A)
OUTER RING	MILD STEEL (BS 970)

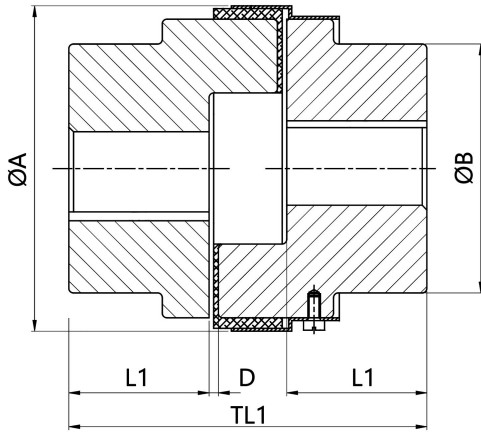
**RFSW SERIES**



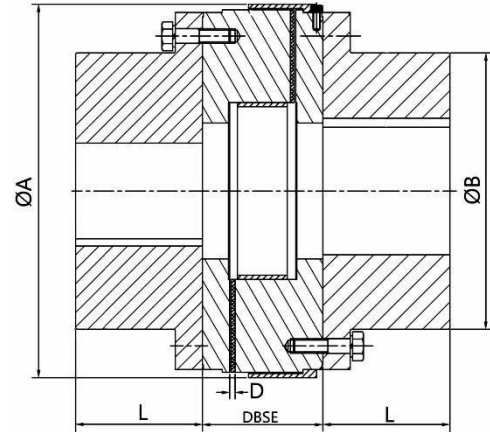
**RFSWS SERIES**



## (RFTC / RFTCS SERIES)



**TYPE RFTC**



**TYPE RFTCS**

SIZE	RATED TORQUE Nm	KW Capacity			BORE		DIMENSIONS IN MM										DBSE	TOR STIFF Nm/Rad
		100 RPM	1500 RPM	3000 RPM	MIN BORE	MAX BORE		RFTC		RFTCS		D	L1	TL1	L2	G		
						RFL	RFRL	ØA	ØB	ØA	ØB							
226	325	3.5	51.5	103	25	70	70	153	119	153	134	3	70	178	50	40	140 180 250	6990
276	531	5.7	85	169	25	75	75	173	127	173	135	3	80	200	60	40		12720
280	780	8.4	125	245	30	80	75	205	140	205	135	3	80	200	60	10		22517
295	1279	13.7	203	-	40	95	95	251	162	252	160	3	95	238	65	10		51222
2955	2132	22.6	338	-	50	105	100	251	180	252	160	3	108	264	65	5		85428
300	3047	32.1	480	-	50	105	110	267	180	270	180	3	115	283	80	5		126395
350	4308	46	676	-	50	115	115	318	200	320	200	3	128	309	90	5		183633

**NOTES**

- ALL DIMENSIONS ARE IN MM.
- ABOVE RATINGS ARE BASED ON 80° SHORE ELASTOMERS.
- P.U. SPIDERS CAN BE USED TO INCREASE POWER RATINGS
- FOR WEIGHT & M.I. DETAILS, CONTACT RUNFLEX.

**MATERIAL SPECIFICATION**

HUB	CAST IRON
SPACER	ALUMINIUM
T - CUSHION	SYNTHETIC RUBBER (80°, 92° SHORE A) POLYURETHANE (92°, 98° SHORE A)
OUTER RING	MILD STEEL (BS 970)
HEX BOLT	H.T. Gr. 10.9

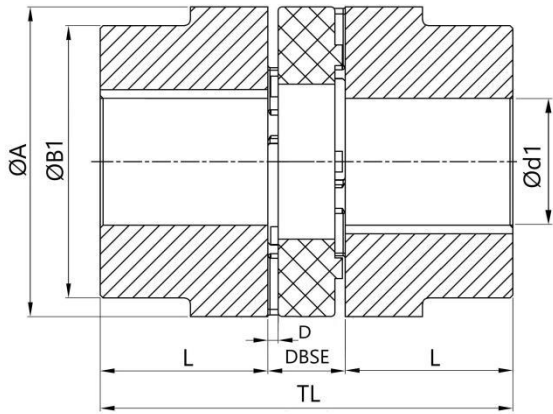
**RFSW SERIES**



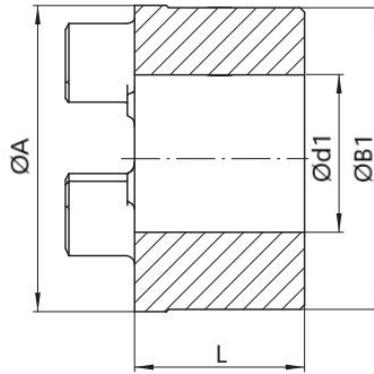
**RFSWS SERIES**



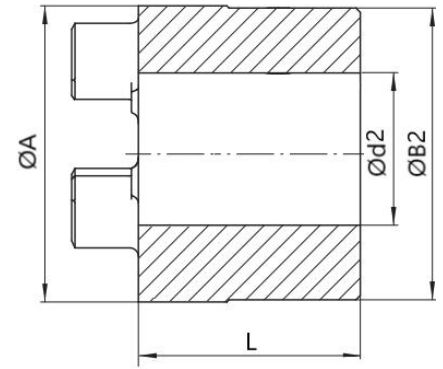
## (RFRJ SERIES)



HUB I / I



HUB II



HUB III

SIZE	HUB TYPE	kW @ 100 RPM	TORQUE Nm	MAX SPEED	MIN BORE	MAX BORE		ØA	ØB1	ØB2	DBSE	D	L	TL
						Ød1	Ød2							
14	HUB II	0.05	12.5	19000	6	16	-	30	-	30	13	1.5	11	35
19	HUB I	0.18	18	14000	6	19	-	40	32	-	16	2	25	66
	HUB II					-	24		-	40				
24	HUB I	0.65	62	10600	9	24	-	55	40	-	18	2	30	78
	HUB II					-	28		-	55				
28	HUB I	1.75	167	8500	10	28	-	65	48	-	20	2.5	35	90
	HUB II					-	38		-	65				
38	HUB I	3.5	332	7100	12	40	-	80	66	-	24	3	45	114
	HUB II					-	48		-	80			70	
	HUB III					-	-		-	80			70	
42	HUB I	5.0	477	6000	14	45	-	95	75	-	26	3	50	126
	HUB II					-	55		-	95			75	
	HUB III					-	-		-	95			75	
48	HUB I	5.5	525	5600	15	52	-	105	85	-	28	3.5	56	140
	HUB II					-	62		-	105			80	
	HUB III					-	-		-	105			80	
55	HUB I	7.3	690	4750	20	60	-	120	98	-	30	4	65	160
	HUB II					-	74		-	120			65	
65	HUB I	10.1	1073	4260	22	70	-	135	115	-	35	4.5	75	185
	HUB II					-	80		-	135			75	
75	HUB I	20.8	1980	3550	30	80	-	160	135	-	40	5	85	210
	HUB II					-	95		-	160			85	
90	HUB I	37	3610	2800	40	97	-	200	160	-	45	5.5	100	245
	HUB II					-	110		-	200			100	

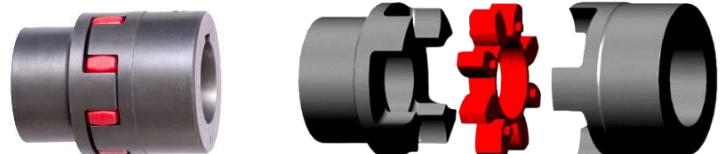
### NOTES

- ALL DIMENSIONS ARE IN MM.
- ABOVE RATINGS ARE BASED ON 98° SHORE A PU SPIDERS.
- FOR WEIGHT & M.I. DETAILS, CONTACT RUNFLEX.

### MATERIAL SPECIFICATION

HUB	CAST IRON (SIZE 24 - 90)
	ALUMINIUM (SIZE 14 - 28)
SPIDER	POLYURETHANE (98° SHORE A)

### RFRJ SERIES



## OUR PRODUCT RANGE



**DISC COUPLINGS**



**PIN BUSH COUPLINGS**



**JAW COUPLINGS**



**GEAR COUPLINGS**



**TYRE COUPLINGS**



**ENCODER / BEAM COUPLINGS**



**UNIVERSAL JOINTS**



**NYLON GEAR COUPLINGS**



**PRECUT ALIGNMENT SHIMS**



**QUICKALINE ALIGNMENT KIT**



## RUNFLEX TRANSMISSIONS PVT. LTD.

3/3 DEDGE INDUSTRIES, NANDED PHATA, SINHAGAD ROAD, PUNE- 411041

**M** : [runflex.transmissions@gmail.com](mailto:runflex.transmissions@gmail.com) **☎** : 9545565527 / 9422089962

**🌐** : [www.runflextransmissions.com](http://www.runflextransmissions.com)

**TUV INDIA** AN ISO 9001:2015 REGISTERED COMPANY