

**RUNFLEX DISC COUPLINGS** provide reliable transmission of mechanical power from driving to driven machine where low maintenance, non-lubricated couplings are required. It offers precise positioning with zero backlash, even in rough or reversing applications. It can transmit torque by accommodating angular, radial and axial misalignment between shafts. The flexible membrane (Disc pack) can accommodate up to 0.5° continuous angular misalignment and can withstand start-up peak moments of two times the stated torque.

**RUNFLEX DISC COUPLINGS** are specifically designed to accommodate general purpose drive system applications such as centrifugal pumps, generators, cooling towers, machine tools, printing, pulp and paper machines, cement, steel, power plant mechanisms, etc.

**FEATURES :**

- Eliminates the need for lubrication and coupling maintenance.
- Torsionally rigid without any backlash.
- High power to weight ratio.
- Resistance to harsh environments.
- High speed capacity.
- Allows Radial, Axial & Angular misalignment.
- Withstand temperatures from -50°C to 150°C.



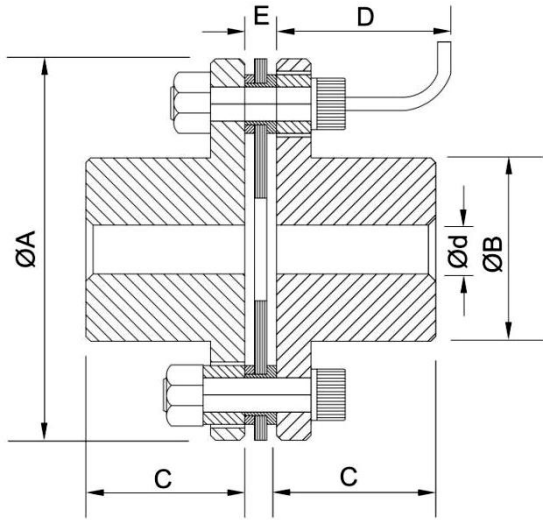
**SELECTION PROCEDURE:**



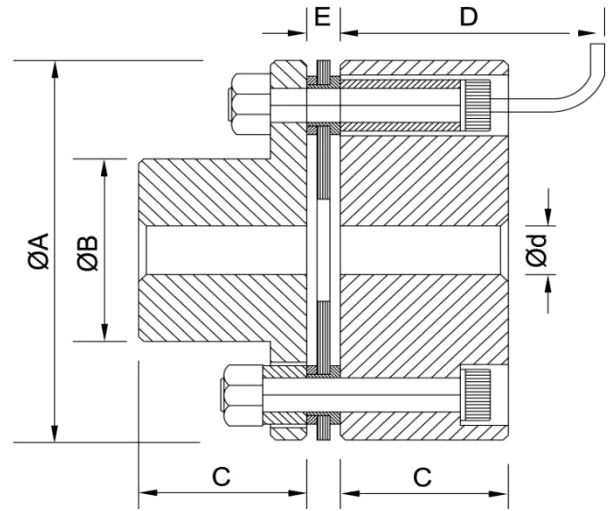
**SERVICE FACTOR TABLE :**

DRIVEN MACHINE	DRIVER MACHINE		
	ELECTRIC MOTOR / STEAM TURBINE	STEAM ENGINE / WATER TURBINE	GAS ENGINE / OIL ENGINE
<b>CONSTANT TORQUE FLUCTUATIONS</b> Centrifugal pumps, Compressors, Light fans, Alternators, Conveyors, etc.	1.0	1.0	3.0
<b>LIGHT TORQUE FLUCTUATIONS</b> Screw pumps & compressors, Rotary compressors & dryers, Textiles machinery, Draught fans, Paper mill winder, marine propellers, etc.	1.5	2.0	3.0
<b>MEDIUM TORQUE FLUCTUATIONS</b> Reciprocating pumps, Bucket elevators, Crane & winders, Paper mills, Positive displacement pumps, etc.	2.0	2.5	4.0
<b>HIGH TORQUE FLUCTUATIONS</b> Reciprocating conveyors, High velocity mixtures, Rubber machinery, Crusher ball mills, Cooling towers, etc.	3.0	3.5	5.0

# RUNFLEX DISC COUPLINGS (RL SERIES)



TYPE I/I



TYPE I/II

SIZE	RATING @ 100 RPM	TORQUE Nm	MAX SPEED	MAX BORE		DIMENSIONS					WT IN KGS (STD DBSE)	M.I IN KGS (STD DBSE)	STIFFNES (MNm/rad)
				AD I	AD II	ØA	ØB	C	D	E			
10	1.0	95	7500	22	25	63	35	30	75	6.5	0.98	0.0004	0.032
35	2.3	228	7000	30	38	82	45	40	85	6.5	1.75	0.0017	0.024
95	6.6	620	6000	40	50	102	57	45	95	8	3.22	0.0082	0.041
170	12.7	1205	5200	52	70	128	77	55	110	9.5	5.78	0.0143	0.99
220	20	1915	4800	65	80	146	94	60	120	12	8.5	0.0264	0.174
400	36.8	3470	4400	80	100	176	115	70	140	13	14.1	0.0640	0.301
520	58.8	5580	4200	90	115	197	132	90	175	14.5	22.1	0.1330	0.430
1000	74.4	7090	4000	105	130	225	147	95	185	16	30.5	0.2310	0.605
1300	109	10395	3800	115	140	250	162	105	195	19.5	42.8	0.4001	0.820
2000	152.4	14555	3700	120	155	275	178	115	215	21.5	57.2	0.6335	1.515
2500	196.5	18730	3600	135	165	300	190	130	235	23.5	76	1.0070	1.450

NOTE : ALSO AVAILABLE IN TYPE II / II . PLEASE CONTACT FOR DETAILED INFORMATION.

**NOTE:**

- ALL DIMENSIONS ARE IN MM.
- WEIGHTS AND M.I ARE SPECIFIED CONSIDERING MAX. BORES.
- NON SPARKING COUPLINGS AVAILABLE ON REQUEST
- TOLERANCE ON FINISH BORE & KEYWAY WILL BE H7 & JS9 RESPECTIVELY AS PER BS 4235 : PART 1 : 1972

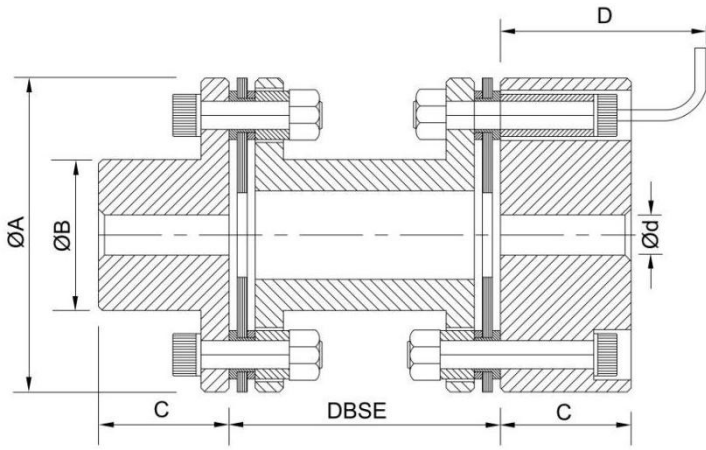
**MATERIAL SPECIFICATION:**

HUB	EN-8
SPACER	EN-8
DISC PACK	S.S. 304
FASTENERS	H.T. Gr. 12.9

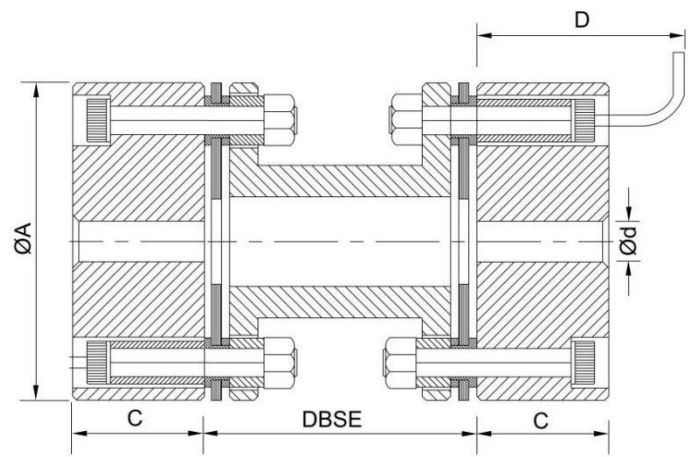
MAX. MISALIGNMENTS	
AXIAL	ANGULAR
SIZE 10-400 : ±1MM	0.75°
SIZE 520-2500 : ±2MM	0.75°



# RUNFLEX DISC COUPLINGS (RS SERIES)



TYPE I/II



TYPE II/II

SIZE	RATING @100 RPM	TORQUE (Nm)	MAX SPEED	MAX BORE			STD DBSE	DIMENSIONS				WT IN KG		MI IN KGS		TOR STIFF. (MNm/rad)
				P.B	AD I	AD II		Ø A	Ø B	C	D	STD DBSE	PER MTR EXTRA A	STD DBSE	PER MTR EXTRA	
10	1.0	95	7500	10	22	25	100 / 140	63	35	30	75	1.2	1.2	0.001	0.001	0.021
35	2.3	228	7000	12	30	38	100 140 180	82	45	40	85	2.0	2.6	0.002	0.001	0.047
95	6.6	620	6000	17	40	50		102	57	45	95	3.8	6.9	0.006	0.002	0.100
170	12.7	1205	5200	17	52	70		128	77	55	110	7	6.3	0.017	0.004	0.222
220	20	1915	4800	22	65	80		146	94	60	120	9.8	9.0	0.033	0.009	0.381
400	36.8	3470	4400	27	80	100	140 / 180	176	115	70	140	16.8	13.3	0.079	0.021	0.773
520	58.8	5580	4200	32	90	115	140 / 180 / 250	195	132	90	175	26.5	12.5	0.160	0.032	0.962
1000	74.4	7090	4000	42	105	130		225	147	95	185	35.4	25.3	0.286	0.065	1.529
1300	109	10395	3800	47	115	140	180 250 300	250	162	105	195	53.8	25.0	0.501	0.062	1.892
2000	152.4	14555	3700	52	120	155		275	178	115	215	72.7	26.7	0.814	0.104	2.454
2500	196.5	18730	3600	62	135	165		300	190	130	235	94.5	36.6	1.279	0.143	3.783

NOTE : ALSO AVAILABLE IN TYPE I/I . PLEASE CONTACT FOR DETAILED INFORMATION.

**NOTE:**

- ALL DIMENSIONS ARE IN MM.
- WEIGHTS AND M.I ARE SPECIFIED CONSIDERING MAX. BORES.
- NON SPARKING COUPLINGS AVAILABLE ON REQUEST
- TOLERANCE ON FINISH BORE & KEYWAY WILL BE H7 & JS9 RESPECTIVELY AS PER BS 4235 : PART 1 : 1972

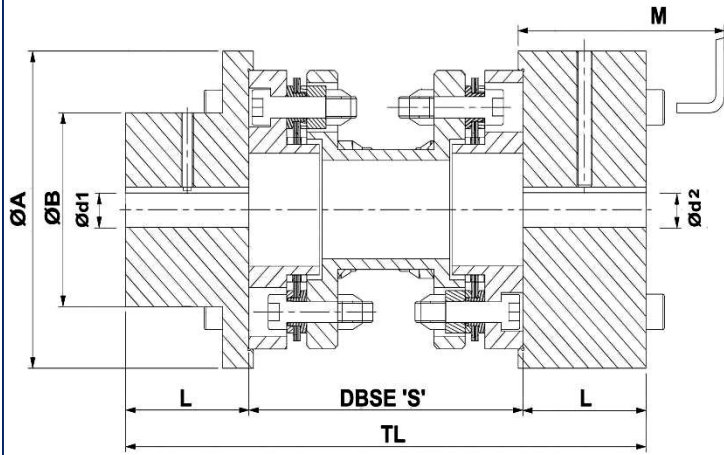
**MATERIAL SPECIFICATION:**

HUB	EN-8
SPACER	EN-8
DISC PACK	S.S. 304
FASTENERS	H.T. Gr. 12.9

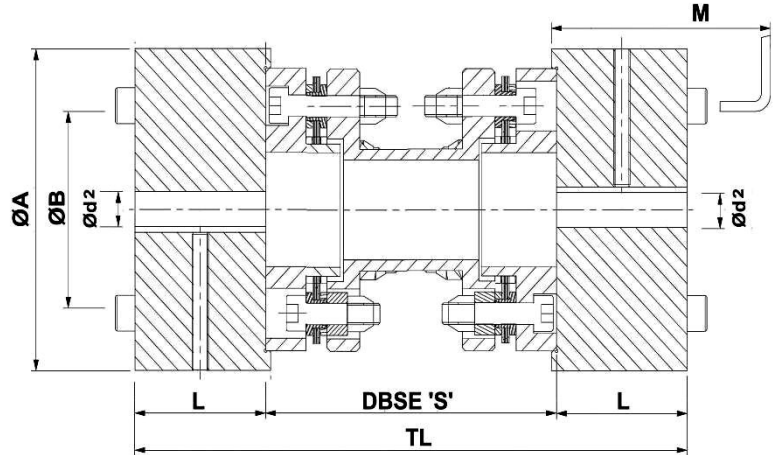
MAX. MISALIGNMENTS		
AXIAL	ANGULAR	RADIAL
SIZE 10-400 : ±1MM	0.75°	0.013 MM/MM
SIZE 520-2500 : ±2MM	0.75°	0.013 MM/MM



# RUNFLEX DISC COUPLINGS (RD SERIES)



TYPE I/II



TYPE II/II

SIZE	Kw @ 100 RPM	TORQ Nm	MAX SPEE D RPM	BORE			MIN DBS E 'S'	ØA	ØB	L	STD DBS E	TL STD DBSE	M	WEIGHT IN KG		M.I. IN KgM <sup>2</sup>		TOR STIFF MNm/ rad	
				MIN	MAX									MIN DBS E 'S'	MIN DBSE 'S'	PER MTR EXTRA 'S'	MIN DBSE 'S'		PER MTR EXTRA 'S'
				P.B	Ød1	Ød2													
8	1.0	95	7500	8	28	42	70	69	40	30	100 140 180	160/200/240	80	1.5	1.7	0.001	0.001	0.018	
25	2.3	228	7000	10	38	48	75	90	55	40		180/220/260	90	3	3.2	0.003	0.001	0.043	
65	6.6	620	6000	15	48	72	90	108	70	45	140 180 250	230/270/340	105	6.3	8	0.008	0.003	0.1	
125	12.7	1205	5200	20	60	92	115	135	86	55		250/290/360	120	12.5	7.5	0.02	0.006	0.23	
165	20	1915	4800	25	75	102	130	152	108	60	180	300/370	125	20	11.5	0.05	0.01	0.4	
370	36.8	3470	4400	30	90	120	150	182	130	70			320/390	135	32	15	0.11	0.02	0.75
390	58.8	5580	4200	45	108	140	160	197	158	90		250	360/430	155	48.5	16	0.2	0.04	1.23
790	74.4	7090	4000	55	127	155	170	225	181	95		370/440	160	70	28	0.4	0.07	1.65	
1025	109	10395	3800	65	140	178	190	250	206	105	250	460	170	98	29	0.7	0.08	2.2	
1425	152.4	14555	3700	70	155	192	210	275	223	115			480	190	127	31	1.1	0.13	3.5
1880	196.5	18730	3600	75	170	212	225	300	248	130			510	215	175	42	1.8	0.17	4.2

NOTE : ALSO AVAILABLE IN TYPE I/I . PLEASE CONTACT FOR DETAILED INFORMATION.

**NOTE:**

- ALL DIMENSIONS ARE IN MM.
- WEIGHTS AND M.I ARE SPECIFIED CONSIDERING MAX. BORES.
- NON SPARKING COUPLINGS AVAILABLE ON REQUEST
- TOLERANCE ON FINISH BORE & KEYWAY WILL BE H7 & JS9 RESPECTIVELY AS PER BS 4235 : PART 1 : 1972

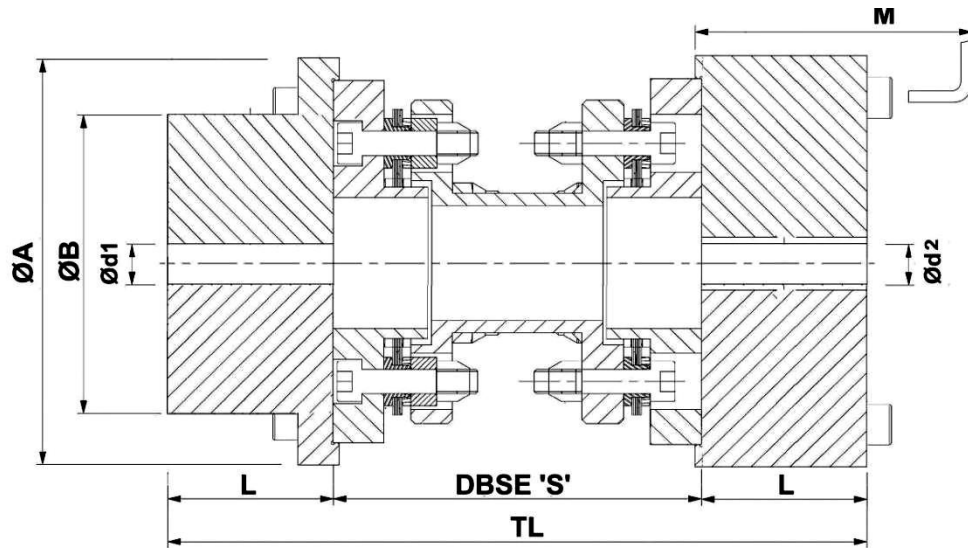
**MATERIAL SPECIFICATION:**

HUBS & D.P.	EN-8
SPACER	EN-8
DISC PACK	S.S. 304
FASTENERS	H.T. Gr. 12.9

MAX. MISALIGNMENTS		
AXIAL	ANGULAR	RADIAL
SIZE 8-370 : ±1MM	0.75°	0.013 MM/MM
SIZE 390-1880 : ±2MM	0.75°	0.013 MM/MM



# RUNFLEX DISC COUPLINGS (RX SERIES)



TYPE I/II

SIZE	Kw @ 100 RPM	TORQUE Nm	MAX SPEED RPM	BORE			MIN DBSE 'S'	ØA	ØB	L	STD DBSE	TL DBSE	M	WEIGHT IN KG		M.I. IN KgM <sup>2</sup>		TOR STIFF MNm/rad
				MIN	MAX									MIN DBSE 'S'	PER MTR EXTRA 'S'	MIN DBSE 'S'	PER MTR EXTRA 'S'	
				P.B	Ød1	Ød2												
8	1.0	95	7500	10	42	48	70	90	55	40	100	180/220/260	90	2	2.3	0.001	0.001	0.02
25	2.3	228	7000	15	48	72	75	108	70	45	140	230/270/340	105	4	4.3	0.004	0.001	0.05
65	6.6	620	6000	20	72	92	90	135	86	55	180	250/290/360	120	8.5	10.8	0.010	0.004	0.13
125	12.7	1205	5200	25	92	102	115	152	108	60	140	300/370	125	16.8	10.1	0.027	0.008	0.31
165	20	1915	4800	30	102	120	130	182	130	70	180	320/390	135	27	15.5	0.067	0.013	0.54
370	36.8	3470	4400	45	120	140	150	197	158	90	250	360/430	155	43.2	20.25	0.15	0.027	1.01
390	58.8	5580	4200	55	140	155	160	225	181	95	180	370/440	160	65.4	21.6	0.27	0.054	1.66
790	74.4	7090	4000	65	155	178	170	250	206	105	250	460	170	94.5	37.8	0.54	0.094	2.2
1025	109	10395	3800	70	178	192	190	275	223	115	250	480	190	132	39.1	0.94	0.10	2.3
1425	152.4	14555	3700	75	192	212	210	300	248	130	250	510	215	171	41.8	1.48	0.17	4.7
1880	196.5	18730	3600	80	212	255	225	375	280	145	250	540	245	236	56.7	2.43	0.23	5.6

NOTE : ALSO AVAILABLE IN TYPE I/I & II/II . PLEASE CONTACT FOR DETAILED INFORMATION.

**NOTE:**

- ALL DIMENSIONS ARE IN MM.
- WEIGHTS AND M.I ARE SPECIFIED CONSIDERING MAX. BORES.
- NON SPARKING COUPLINGS AVAILABLE ON REQUEST
- TOLERANCE ON FINISH BORE & KEYWAY WILL BE H7 & JS9 RESPECTIVELY AS PER BS 4235 : PART 1 : 1972

MATERIAL SPECIFICATION		MAX MISALIGNMENTS		
HUBS & D.P.	EN-8	AXIAL	ANGULAR	RADIAL
SPACER	EN-8	SIZE 8-370 : ±1MM	0.75°	0.013 MM/MM
DISC PACK	S.S. 304	SIZE 390-1880 : ±2MM	0.75°	0.013 MM/MM
FASTENERS	H.T. Gr. 12.9			



## OUR PRODUCT RANGE



**DISC COUPLINGS**



**PIN BUSH COUPLINGS**



**JAW COUPLINGS**



**GEAR COUPLINGS**



**TYRE COUPLINGS**



**ENCODER / BEAM COUPLINGS**



**UNIVERSAL JOINTS**



**NYLON GEAR COUPLINGS**



**PRECUT ALIGNMENT SHIMS**



**QUICKALINE ALIGNMENT KIT**



## RUNFLEX TRANSMISSIONS PVT. LTD.

3/3 DEDGE INDUSTRIES, NANDED PHATA, SINHAGAD ROAD, PUNE- 411041

✉ : [runflex.transmissions@gmail.com](mailto:runflex.transmissions@gmail.com) ☎ : 9545565527 / 9422089962

🌐 : [www.runflextransmissions.com](http://www.runflextransmissions.com)